

PM EBAS C

PRISM Tap Range Prism Basin Mixer with Eco-Click & Pop-up Waste Chrome



Features:

- Long life ceramic cartridge for added durability and ease of use
- Metal fixing nut for added durability
- Supplied with 3.5 litre per minute flow limiting aerator to reduce water consumption and increase water efficiency
- Chrome plated to BS EN 248
- Easy to use lever handles

Product Certifications:



WRAS Certificate No: 1611005
WRAS Expiry Date: 30/11/2021



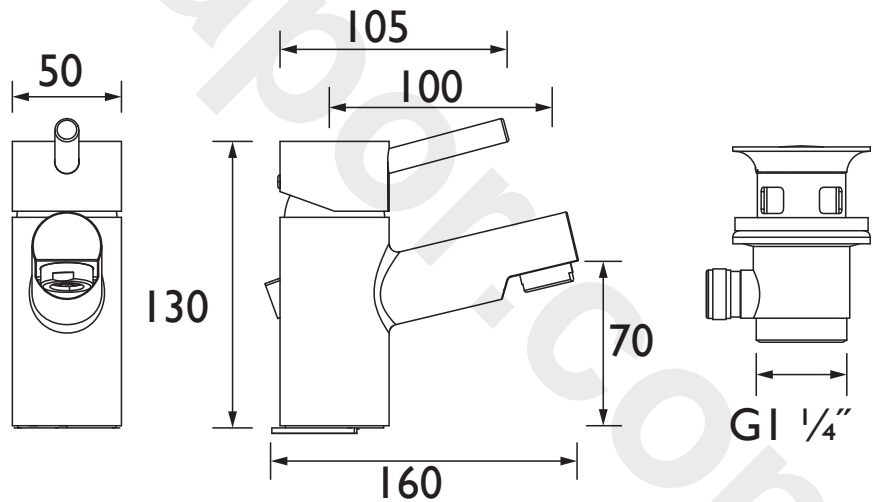
For more products, visit our website:
<http://www.bristan.com>



Specification

Product Type:	Taps
Main Construction Material:	Brass
Mount Type:	Deck
Handle Type:	Lever
Connection Inlet:	M10 x 15mm Flexi Tails
Connection Outlet:	3.5l/min Flow Limiting M24 Aerator
Number of Tap Holes:	1
Valve/Cartridge Type:	40mm Ceramic Disc Cartridge
Plumbing System Requirements:	Suitable for all plumbing systems
Minimum Dynamic Pressure (bar):	0.5 bar
Maximum Dynamic Pressure (bar):	5.0 bar
Maximum Hot Water Temperature °C:	65°C
Maximum Static Pressure (bar):	10 bar
Flow Type:	Single
Isolation Included:	No

Dimensions (measurements in mm)



Flow Rates (l/min)

System Pressure (bar)	0.5	1	2	3	5
PM EBAS C (mixed)	3.5	3.5	3.5	3.5	3.5

TECHNICAL DATA SHEET



BRISTAN

D10